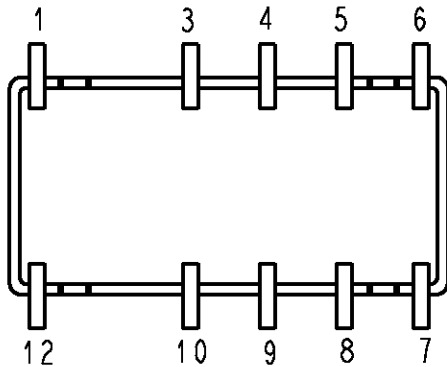
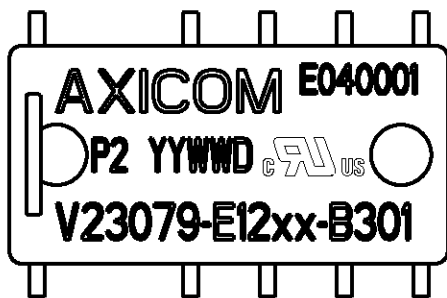
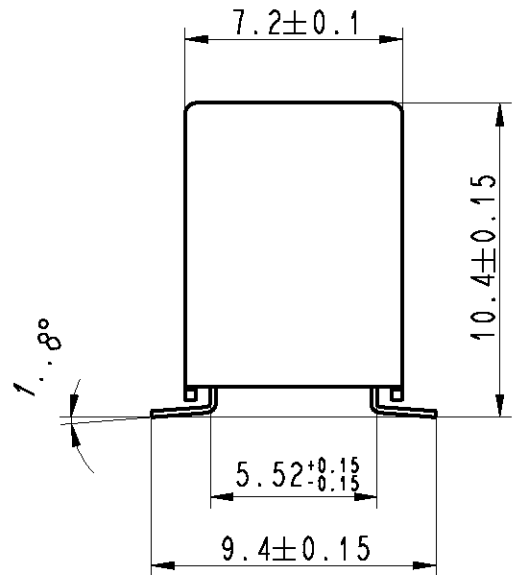
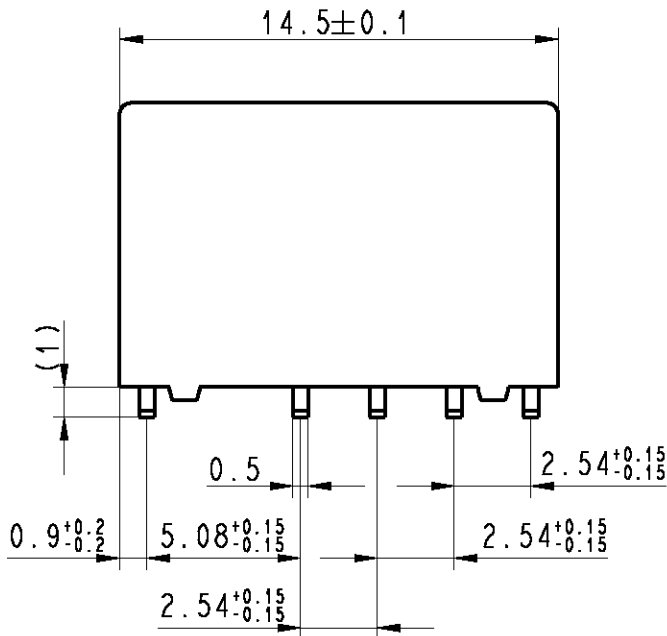


LOC	DIST	REVISIONS					
		P	LTR	DESCRIPTION	DATE	DWN	APVD
HJ	-		C2	REVISED PER ECO-11-005150	25MAR11	RK	HMR



Relay - bottom view



xx = Relay type
YYWW = Date code

DRAWING ALIAS C23303-A079-A004

RELEASED FOR PUBLICATION

ALL RIGHTS RESERVED.

THIS DRAWING IS UNPUBLISHED.

BY -
© COPYRIGHT

DIMENSIONS: mm	DWN	Korytak	02Jun2004	MATERIAL	-	FINISH	-
	TOLERANCES UNLESS OTHERWISE SPECIFIED: DIN 7168-m	CHK	Korytak	02Jun2004	TE Connectivity		
0 PLC ±-	APVD	Korytak	02Jun2004	NAME			
1 PLC ±	PRODUCT SPEC	-	-	P2-Relay SMT W			RESTRICTED TO
2 PLC ±	APPLICATION SPEC	-	-	SIZE	CAGE CODE	DRAWING NO	
3 PLC ±	WEIGHT	-	-	A4	00779	C-1393788-7	-
4 PLC ±	CUSTOMER DRAWING			SCALE	4:1	SHEET	1 OF 1
ANGLES ±-						REV	C2